



Main Features

- ♦ 15" 4:3 XGA (1024 x 768) TFT LCD panel
- ♦ 15" projected capacitive true flat touch screen
- ♦ Fanless Kiosk Panel PC
- ♦ Intel® Atom™ D525 Dual-Core processor, 1.8GHz
- ♦ Support DDR3 SO-DIMM memory
- ♦ 2.5" removable SATA HDD
- ♦ Powered COM(4), USB(4), printer port(1), VGA(1), GbE LAN(1), cash drawer(1)
- ♦ Front bezel complies with IP-65 protection standard
- ♦ VESA 100mm x 100mm mounting for wall-mount application

Product Overview

The KPPC 1552 is a multi-functional and rugged Kiosk Panel PC, transcending various markets from Health Care, Gaming and Industrial applications. It has a State of the art 15" touch screen, with cutting edge Projected Capacitive Multi-Touch Technology from Japan. Zero Bezel (True Flat Surface) design and combined with its Solid IP65 Water and Dust proofing, makes it a perfect engine for any Kiosk Applications at any given harsh environment.

Unique Sleek and Noise Free Fanless Design driven by an Intel® Atom™ D525 Dual-Core Processor makes it a cost effective and high value terminal. Scalable M/ B platform can be upgraded from Dual Core to Quad Core. Additional features like Removable HDD for COLD SWAPPING makes repair so easy, lowering terminal downtime to almost zero thus saving on maintenance cost.

KPPC1552 supports 100mm x100mm VESA Standard for various mounting application from Wall Mount, Panel Mount and Bracket Mount e.g. Nursing/ Service cart, Bedside Care, Gaming Kiosk and many more.

Specifications

Panel

- ♦ LCD Size: 15", 4:3
- ♦ Resolution: XGA 1024 x 768
- ♦ Luminance: 250cd/m²
- ♦ Contrast ratio: 700
- ♦ LCD color: 16.2M
- ♦ Viewing angle: 80 (upper), 80 (lower), 85 (left), 85 (right)
- ♦ Backlight: CCFL
- ♦ Touch screen: projected capacitive true flat (zero bezel)
- ♦ Touch light transmission: 91%
- ♦ Touch interface: USB

System

- ♦ CPU: Intel® Atom™ D525, 1.8GHz
- ♦ BIOS: AMI BIOS
- ♦ System chipset: Intel® ICH8M
- ♦ System memory: 1x 204-pin DDR3 SO-DIMM socket, 2GB DDR3 (default), optional support up to 4GB DDR3 800, Non-ECC and Un-buffered
- ♦ Hard disk drive: one 2.5" 160GB SATA HDD, removable type
- ♦ Expansion: 1 x mini-card socket for mini-PCIe and USB interface

Rear I/O

- ♦ USB: 4x USB2.0 port
- ♦ COM: 4x DB-9 powered RS-232 port, adjust R/ 5V/ 12V by BIOS setting
- ♦ Ethernet: 1x RJ-45, 10/ 100/ 1000 Mbps
- ♦ VGA: 1x DB-15 2nd VGA port
- ♦ Cash drawer: 1x RJ-11 port, support two cash drawers (24V, Max 1.1A)
- ♦ Parallel: 1x DB-25 printer port
- ♦ Audio: 1x Line-out jack
- ♦ DC-IN: 1x DC-12V input, mini-DIN 4 pin lock type
- ♦ DC-OUT: 1x DC-12V output for 2nd display power (12V, Max 3.0A)

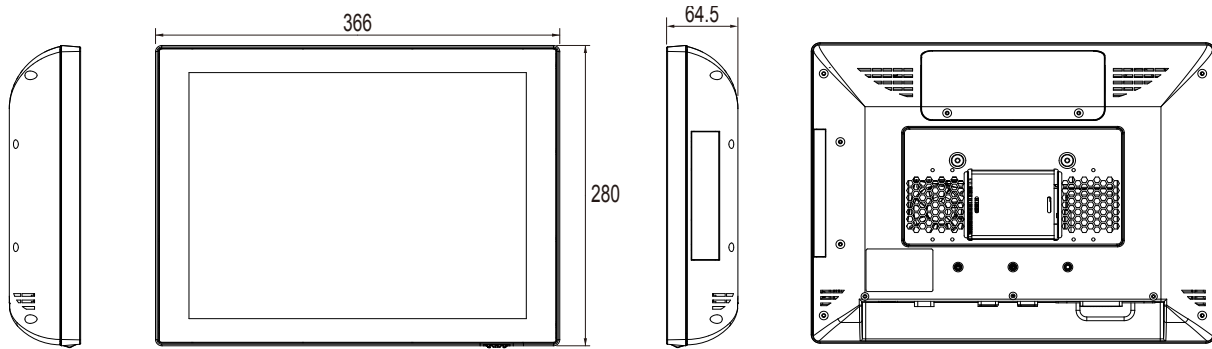
Audio

- ♦ High Definition audio codec: Realtek ALC886-GR
- ♦ Internal audio: one 3W speaker
- ♦ External audio: Line-out audio jack

Ethernet

- ♦ LAN chip: Realtek RTL8111C-VC-GR Gigabit LAN
- ♦ Ethernet interface: 10/ 100/ 1000 Based-TX Ethernet compatible

Dimension Drawing



Mechanical & Environment

- Color: Beige
- Mounting: desktop type, optional VESA 100 x 100mm wall-mount
- IP protection: front bezel complies with IP-65 protection standard
- Power input: DC-12V
- Power adapter: AC to DC power brick (DC-12V/ 8.33A, 100W)
- Operating temperature: 0°C to 40°C
- Storage temperature: -20°C to 60°C
- Operating humidity: 20%~80% relative humidity, non-condensing
- Dimension: 366mm(L) x 280mm(W) x 64.5mm(H)
- Weight: 5.0 kg
- Tilt angle: 0° ~ 80°

Certifications

- CE approval
- FCC Class A

Ordering Information

◆ KPPC 1552-010 (P/N: A0YK0155200X0)

CPU: Intel® Atom™ D525, Dual-Core 1.8GHz L2 1MB;
 LCD/ touch: 15" XGA 1024x 768 250nits AUO G-grade/ PCT Zero Bezel Touch;
 Memory: 2GB DDR3 SO-DIMM;
 HDD: 160GB 2.5" SATA 5,400rpm;
 Power: DC-12V/ 100W power brick;
 Color: Beige;

◆ KPPC 1552-030 (P/N: A0YK0155201X0)

CPU: Intel® Atom™ D525, Dual-Core 1.8GHz L2 1MB;
 LCD/ touch: 15" XGA 1024x 768 250nits AUO G-grade/ PCT Zero Bezel Touch;
 Memory: 2GB DDR3 SO-DIMM;
 HDD: 160GB 2.5" SATA 5,400rpm;
 Power: DC-12V/ 100W power brick;
 Color: Black;